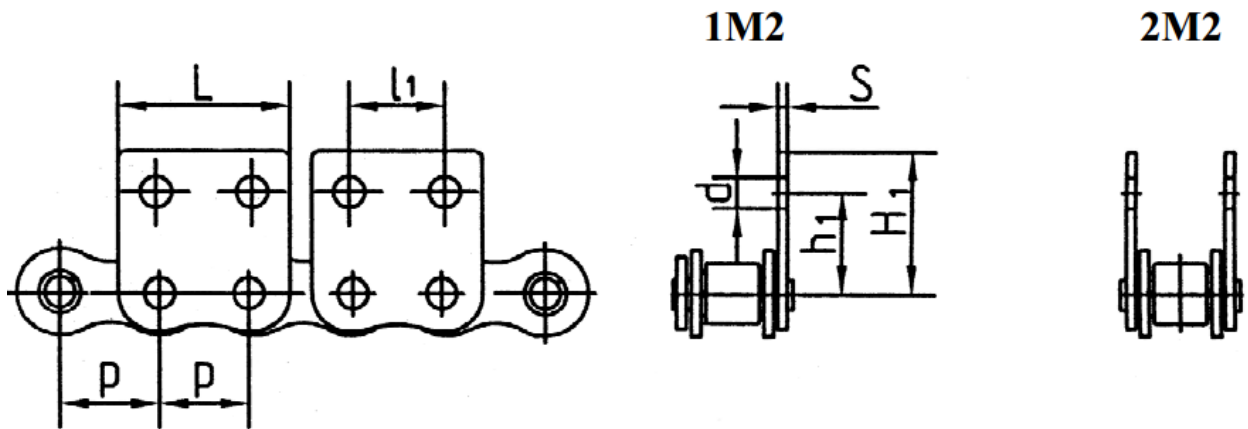


Роликовые цепи со специальными пластинами (Тип М2) - Roller chains with Attachments (Type M2)



Description	Index	p	$l1$	L	$h1$	$H1$	S	d
		mm	mm	mm	mm	mm	mm	mm
06B-1 1M2	201	9.525	9.525	17.7	9.2	12.6	1.3	3.5
06B-1 2M2	202		9.525	17.85	10.2	14.6	1.3	3
08B-1 1M2	201	12.7	12.7	24.3	14.7	20.3	1.3	4.5
08B-1 2M2	202		12.7	24.45	17	23	1.6	4.2
08B-1 2M2	204		12.7	24.45	13.71	20.81	1.5	4.2
10B-1 1M2	201	15.875	15.9	29	17.2	26.7	1.6	5.5
10B-1 2M2	202		15.8	29.15	16.3	25.8	1.6	5.3
10B-1 2M2	204		15.9	29.15	16.2	25	1.5	5.2
12B-1 1M2	201	19.05	19.1	33.2	18.7	29	1.8	6.6
12B-1 2M2	202		19	33.15	18.3	29	1.8	6
12B-1 2M2	204		19.1	33.35	18.2	27.6	1.8	6.3
16B-1 1M2	201	25.4	25.4	45.6	28.6	41.5	3	9
16B-1 2M2	202		25.5	45.6	27.2	39.7	3.1	9
16B-1 2M2	204		25.5	45.6	27.2	39.7	3.1	8.4
20B-1 1M2	201	31.75	31.65	56.15	33.51	46.51		10
20B-1 2M2								