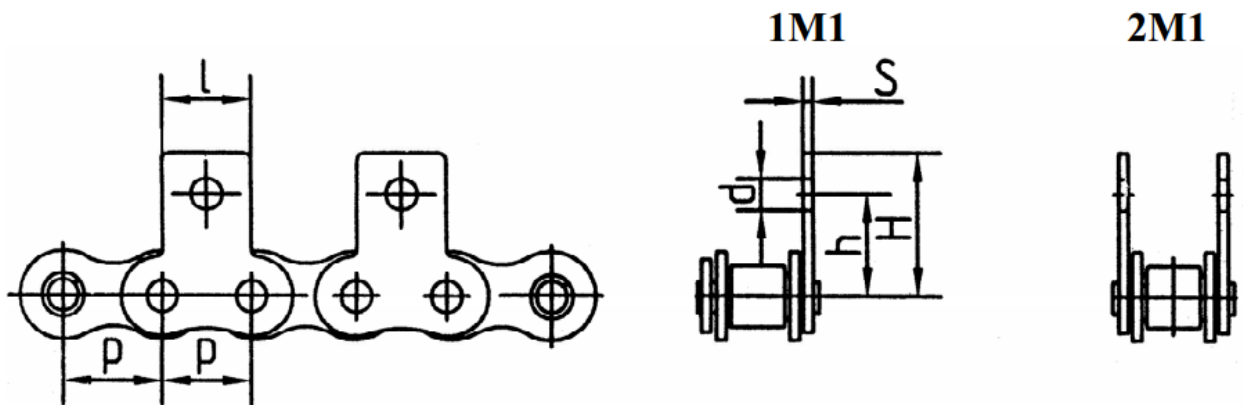


**Роликовые цепи со специальными пластинами (Тип М1) - Roller chains with Attachments (Type M1)**



Description	Index	$p$	$l$	$h$	$H$	$S$	$d$
		mm	mm	mm	mm	mm	mm
06B-1 1M1	101	9.525	8	9	13.8	1.3	3.5
06B-1 2M1	102		8.15	10	14.6	1.3	3
08B-1 1M1	101	12.7	12.5	14.7	20.3	1.3	4.5
08B-1 1M1	102		13	14.2	20	1.6	4.2
08B-1 2M1	104		11	13.71	20.81	1.5	4.2
10B-1 1M1	101	15.875	15	17.2	26.7	1.6	5.5
10B-1 1M1	102		15.15	17	26.8	1.6	5.3
10B-1 2M1	104		14	16.2	25	1.5	5.2
12B-1 1M1	101	19.05	18.5	18.7	29	1.8	6.6
12B-1 1M1	102		18	18.2	26	1.8	6
12B-1 2M1	104		18	18.2	27.6	1.8	6.3
16B-1 1M1	101	25.4	25	28.6	41.5	3	9
16B-1 1M1	102		23.7	31.3	39.7	3.1	9
16B-1 2M1	103		23.7	27.2	39.7	3.1	8.4