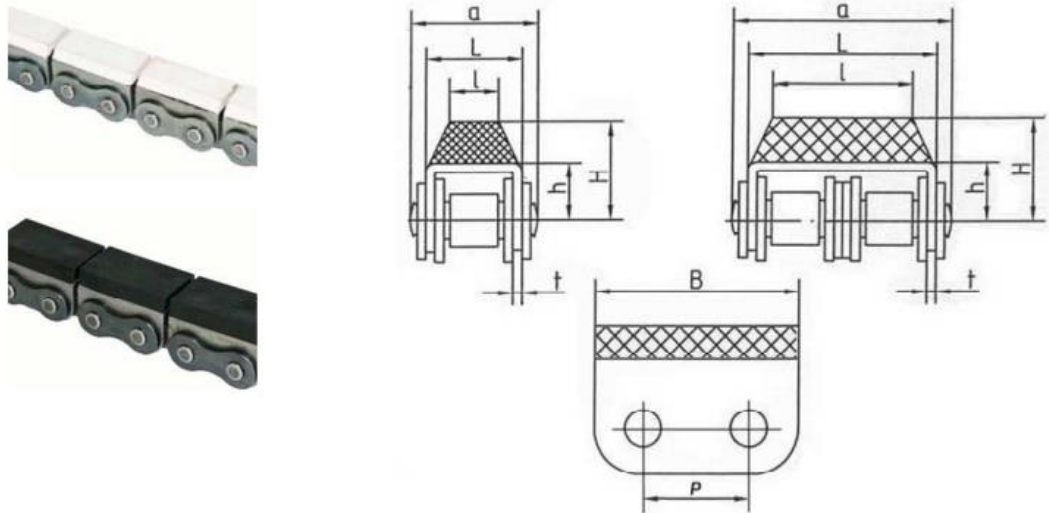


Роликовые цепи с резиновым профилем - Roller chains with rubber profile



Description	<i>p</i>	<i>t</i>	<i>l</i>	<i>L</i>	<i>h</i>	<i>H</i>	<i>a</i>	<i>b</i>	Breaking load
	mm	mm	mm	mm	mm	mm	mm	mm	N
08B-1 UG1	12.7	1.3	11.5	14.5	8.3	12.3	19.5	24.32	18200
08B-2 UG1	12.7	1.3	20	28.4	8.3	12.3	33.5	24.32	32000
10B-1 UG1	15.875	1.3	11	16.4	10.5	13	21.9	30	23000
10B-2 UG1	15.875	1.3	29	33	10.5	13	38.9	30	45400
12B-1 UG1	19.05	1.8	10	19	13	21	25.9	35.6	28900
12B-2 UG1	19.05	1.8	31	39	12	19.5	45.4	37	57800
12A-1 UG1	19.05	1.8	19	21.5	13.9	17.9	29.1	35	31800
16B-1 UG1	25.4	1.8	25.8	30	15.4	21.4	39.3	48	60000
16B-2 UG1	25.4	1.8	56.8	62	15.4	21.4	70.8	48	106000
16A-1 UG1	25.4	1.8	21.5	26.7	16.4	22.4	36.1	48	60000
16A-2 UG1	25.4	1.8	51.3	56.5	16.4	22.4	65.4	48	112000
20B-1 UG1	31.75	2.4	30	34.8	19	27	46.2	56.15	95000

Rubber profile. Material: rubber hardness 70 +/- 5, durable, up to 900 heat-resistant, oil-, gasoline-, and acid. Available colors: white, black, gray.

Profile types:

